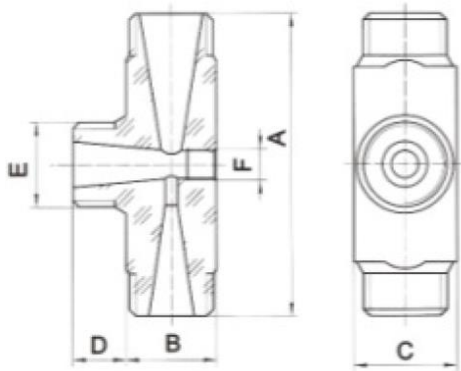


## EJECTOR FOR SOFTENER (ACRYLIC MATERIAL)



型号	尺寸 (mm)					
	A	B	C	D	E	F
S-15	93	28	32	16.5	1/2" BSP	M10
S-20	93	28	32	16.5	3/4" BSP	M10
S-25	96	43	43	18	1" BSP	M10

