

Panel ( Piping ) Type flowmeter is also called the variable-area (or float) flowmeter. The material of measuring tube is made of High-quality and transparent lucite (cast acrylic) . This flowmeter is mainly applied to form a complete set in clean water treatment and environmental protection projects. It also can be used in chemical industry, petroleum, light industry, medicine, fertilizer, food, papermaking and scientific research, etc., to measure the single-phase non-pulsing flow of liquid and gas. Panel ( Piping ) type flowmeter has the characteristics of high transparency, reading ocular, in rare cases to be broken, light weight, long-life, convenient for installation ect..



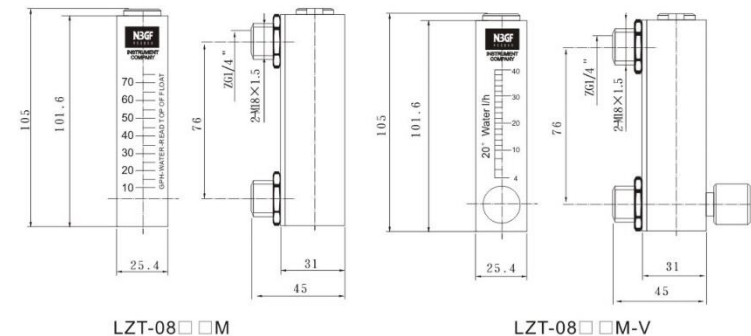
Normal flowrate range (flow water)	GPM	0.1~1	0.2~2	1~5	1~10	2~16	2~20	4~40	6~60	10~100	50~150
	LPM	0.5~4	1~7	2~18	5~35	4~60	10~70	15~150	25~250	50~350	190~550
Accuracy	±4%FS										
Repeatability	±0.25%FS										
Maximum pressure	1MPa/150psig										
Maximum temperature	80°C/176° F										
Body material	PMMA(Acrylic)										
Float material	316(Stainless steel)										
Guide rod material	316(Stainless steel)										
Fastening screw material	H62(Copper)										
Tube connection material	UPVC (Nonpoisonous), (Can be made of stainless steel or copper chromium)										
Upper and lower adapter bearing	F46										
O Shape sealing ring	Silicon rubber, Viton										

### ● LZT-8 Series Panel type Flowmeter

Model	Measuring range	Medium	Remarks
LZT-0802M	2~20l/h	Water	Without valve
LZT-0804M	4~40l/h		
LZT-0806M	6~60l/h		
LZT-0810M	10~100l/h		
LZT-0802M-V	2~20l/h		
LZT-0804M-V	4~40l/h		
LZT-0806M-V	6~60l/h	Air	With valve
LZT-0810M-V	10~100l/h		
LZT-08A01M-V	1~10SCFH/0.5-5LPM		
LZT-08A02M-V	2~20SCFH/1~10LPM		
LZT-08A04M-V	4~40SCFH/2~20LPM		
LZT-08A08M-V	8~80SCFH/4~40LPM		
LZT-08A10M-V	10~100SCFH/5~50LPM		
LZT-08A20M-V	20~200SCFH/10~100LPM		



### ● Dimensions(mm)



LZT-08□□M

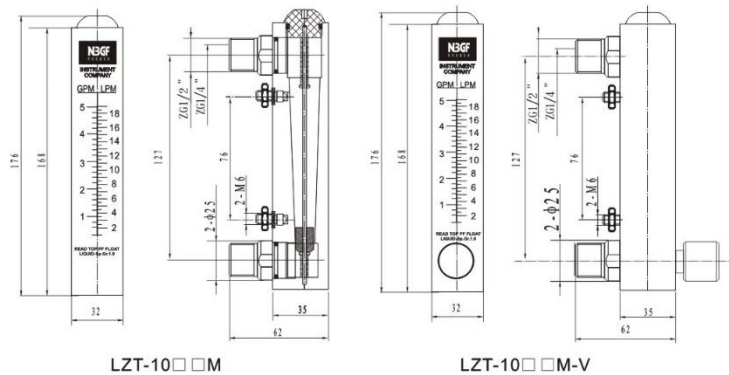
LZT-08□□M-V

● LZT-10 Series Panel type Flowmeter

Model	Measuring range	Medium	Remarks
LZT-1001M	0.1-1GPM/0.5-4LPM	Water	Without valve
LZT-1002M	0.2-2GPM/1-7LPM		
LZT-1005M	1.0-5GPM/2-18LPM		With valve
LZT-1001M-V	0.1-1GPM/0.5-4LPM		
LZT-1002M-V	0.2-2GPM/1-7LPM		
LZT-1005M-V	1.0-5GPM/2-18LPM	Air	With valve
LZT-10A04M-V	0.4-4SCFM/12-120LPM		
LZT-10A08M-V	0.8-8SCFM/24-240LPM		
LZT-10A12M-V	1.2-12SCFM/36-360LPM		
LZT-10A16M-V	1.6-16SCFM/48-480LPM		
LZT-10A24M-V	2.4-24SCFM/72-720LPM		

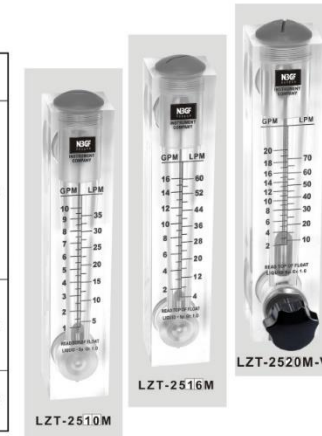


● Dimensions(mm)

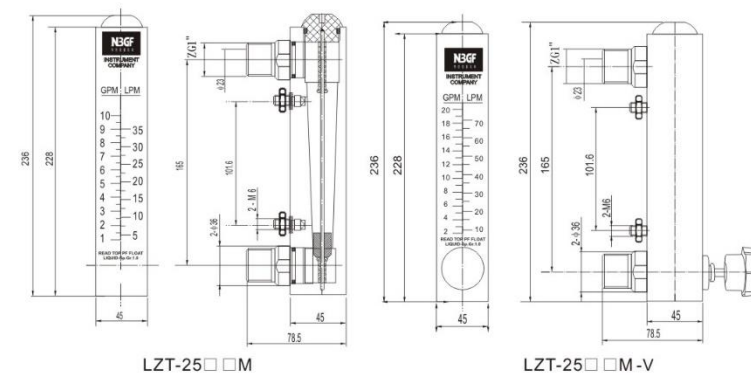


● LZT-25 Series Panel type Flowmeter

Model	Measuring range	Medium	Remarks
LZT-2510M	1-10GPM/5-35LPM	Water	Without valve
LZT-2516M	2-16GPM/4-60LPM		
LZT-2520M	2-20GPM/10-70LPM		
LZT-2530M	3-30GPM/12-120LPM		
LZT-2535M	4-35GPM/12-120LPM		
LZT-2540M	4-40GPM/15-150LPM	Air	With valve
LZT-2510M-V	1-10GPM/5-35LPM		
LZT-2516M-V	2-16GPM/4-60LPM		
LZT-2520M-V	2-20GPM/10-70LPM		
LZT-25A40M	4-40SCFM/7-70m <sup>3</sup> /H		
LZT-25A60M	6-60SCFM/10-100m <sup>3</sup> /H	Without valve	



● Dimensions(mm)





● LZT-40/LZT-50 Series Piping type Flowmeter

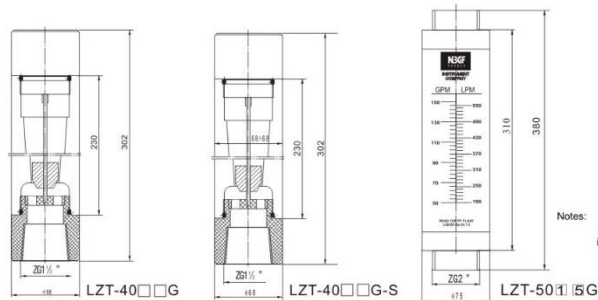
Model	Measuring range	Medium	Remarks
LZT-4004G	4~40GPM/15~150LPM	Water	Circular
LZT-4006G	6~60GPM/25~250LPM		
LZT-4008G	8~80GPM/30~300LPM		
LZT-4010G	10~100GPM/50~350LPM		Square
LZT-4004G-S	4~40GPM/15~150LPM		
LZT-4006G-S	6~60GPM/25~250LPM		
LZT-4008G-S	8~80GPM/30~300LPM		
LZT-4010G-S	10~100GPM/50~350LPM		



Model	Measuring range	Medium	Remarks
LZT-5015G	50~150GPM/190~550LPM	Water	Circular
LZT-5020G	50~200GPM/200~750LPM		



● Dimensions(mm)



Notes: Joint material: PP  
2 NPT/F thread is selectable.

● LZT-S Plastics tube Flowmeter

Model	Measuring range	Medium	Remarks
LZT-15S06L	6-60L / h	Water	Without Guide rod
LZT-15S10L	10-100L / h		
LZT-15S16L	16-160L / h		
LZT-15S25L	25-250L / h		
LZT-15S40L	40-400L / h		
LZT-15S60L	60-600L / h		
LZT-25S06L	60-600L / h		With Guide rod
LZT-25S10L	100-1000L / h		
LZT-25S16L	160-1600L / h		
LZT-25S25L	250-2500L / h		
LZT-25S30L	300-3000L / h		
LZT-40S04L	0.4-4m <sup>3</sup> / h		
LZT-40S06L	0.6-6m <sup>3</sup> / h		
LZT-50S04L	0.4-4m <sup>3</sup> / h	With Guide rod	
LZT-50S06L	0.6-6m <sup>3</sup> / h		
LZT-50S10L	1-10m <sup>3</sup> / h	Flange connection With Guide rod	
LZT-50S16L	1.6-16m <sup>3</sup> / h		
S05L/F	8-50m <sup>3</sup> / h		
S06L/F	12-60m <sup>3</sup> / h		
S09L/F	14-90m <sup>3</sup> / h		
S12L/F	18-120m <sup>3</sup> / h		
S15L/F	18-150m <sup>3</sup> / h		
S18L/F	22-180m <sup>3</sup> / h		
S20L/F	25-200m <sup>3</sup> / h		



Model	Measuring range	Medium	Remarks
LZT-15S06S	6-60L / h	Water	With Guide rod
LZT-15S10S	10-100L / h		
LZT-15S16S	16-160L / h		
LZT-15S25S	25-250L / h		
LZT-15S40S	40-400L / h		
LZT-15S60S	60-600L / h		
LZT-25S10S	100-1000L / h		Flange connection With Guide rod
LZT-25S16S	160-1600L / h		
LZT-25S25S	250-2500L / h		
LZT-25S30S	300-3000L / h		
LZT-32S04S	0.4-4m <sup>3</sup> / h		
LZT-32S06S	0.6-6m <sup>3</sup> / h		
LZT-50S10S	1-10m <sup>3</sup> / h		
LZT-50S16S	1.6-16m <sup>3</sup> / h		
LZT-65S25S	5-25m <sup>3</sup> / h		
LZT-65S40S	8-40 m <sup>3</sup> / h		
LZT-65S60S	12-60 m <sup>3</sup> / h		
LZT-80S25S/F	5-25 m <sup>3</sup> / h		
LZT-80S40S/F	8-40 m <sup>3</sup> / h	Flange connection With Guide rod	
LZT-80S60S/F	12-60m <sup>3</sup> / h		

