



## Filter Bag Housing Data Sheet

### FBH Series Filter Bag Housing

The FBH series single filter bag housings are made of robust stainless steel with either 304 or 316 grade to choose from. This filter bag housings are manufactured for easy installation, bag replacement and maintenance. The FBH series filter bag housing is compatible to all standard filter bags that is available in the market.

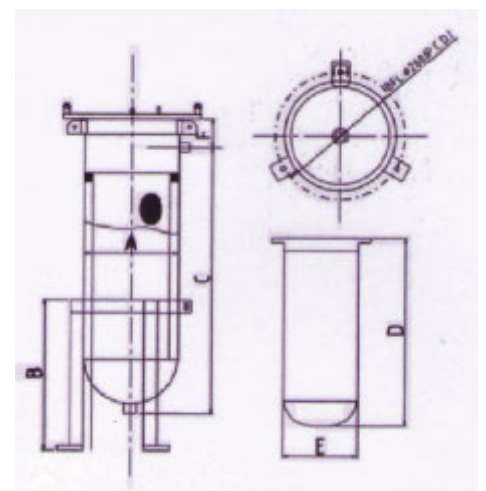
#### Features

- Stainless steel 304 or 316 Material of Construction for higher durability
- Maximum operating pressure of 150 psig (10 bar)
- Maximum operating temperature up to 200°F (94°C )
- Polished or sand blast surface finishing
- Swing bolt closures



#### Ordering Information

FBH MODEL	P1 SIZE	Material	Inlet/Outlet Size	Inlet/Outlet Style	Connection Std -
	1 = 7"x17"	A = 304 SS	2 = 2"	T = FNPT	A = ANSI
	2 = 7"x32"	B = 316 SS	3 = 3"	F = Flange	J = JIS
					N = NPT
					B = BSP



DISCLAIMER: Filtration data presented is representative of performance observed in controlled laboratory testing. It is not given as a warranty, specification, or statement of fitness for use. Specific performance can vary widely depending on contaminant type, fluid properties, flow rates, and environmental conditions. It is recommended that users conduct thorough qualification testing to assure the product functions as required.