

Sanlixin Solenoid Valve

ZS Compact Series 2/2-Way Direct Acting Solenoid Valve · Normally Closed

● The Professional Solenoid Valves Manufactory

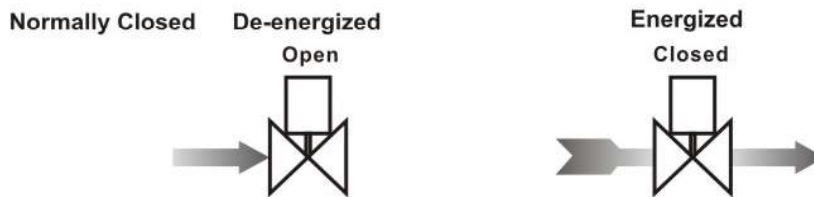
Solenoid Valves Numbering System for Order

Position description	1	2	3	4	5	6	7	8	9	10
	Valve Series	Mode of Operation	Coil Type	Coil Class	Voltage	Seal Material	Body Material	Pipe Size	Orifice (mm)	Options
E.G.	ZS	1	D	F	02	N	1	E	20	<input type="checkbox"/>
	ZS Series	1: Normally Closed 2: Normally Open	D: DIN Standard Connections, Fully Encapsulated A: Metallic Housing, DIN Standard N= Lead wires water-tight Fully Encapsulated	F: F Class H: H Class	02= AC220V AC230V 01= AC110V AC120V 03=AC36V 04=AC48V 05=AC24V 08=AC380V 12=DC12V 13=DC24V	N=NBR V=VITON E=EPDM (for orifice under ϕ 25mm only) G=Silica Gel	1=Forged Brass 4= SS304 9=Forged Brass 1=Forged Brass 4= SS304 2: Cast Brass 1: Forged Brass 2: Cast Brass 1: Forged Brass 2: Cast Brass 1: Forged Brass 4= SS304	A=1/8" B=1/4" C=3/8" C=3/8" D=1/2" B=1/4" C=3/8" D=1/2" C=3/8" D=1/2" E=3/4" G=1" H=1 1/4" J=1 1/2" K=2" F= Flange Connection	C3=2.5 03=3.0 04=4.0 05=5.0 06=6.0 C8=7.5 04=4.0 05=5.0 06=6.0 C8=7.5 10=10.0 16=16.0 20=20.0 25=25.0 32=32.0 35=35.0 40=40.0 25=25.0 35=35.0 40=40.0 50=50.0 65=65.0 80=80.0 100=100.0	M= Manual Override L= Neon lamp N= NPT pipe size K= Mounting Bracket

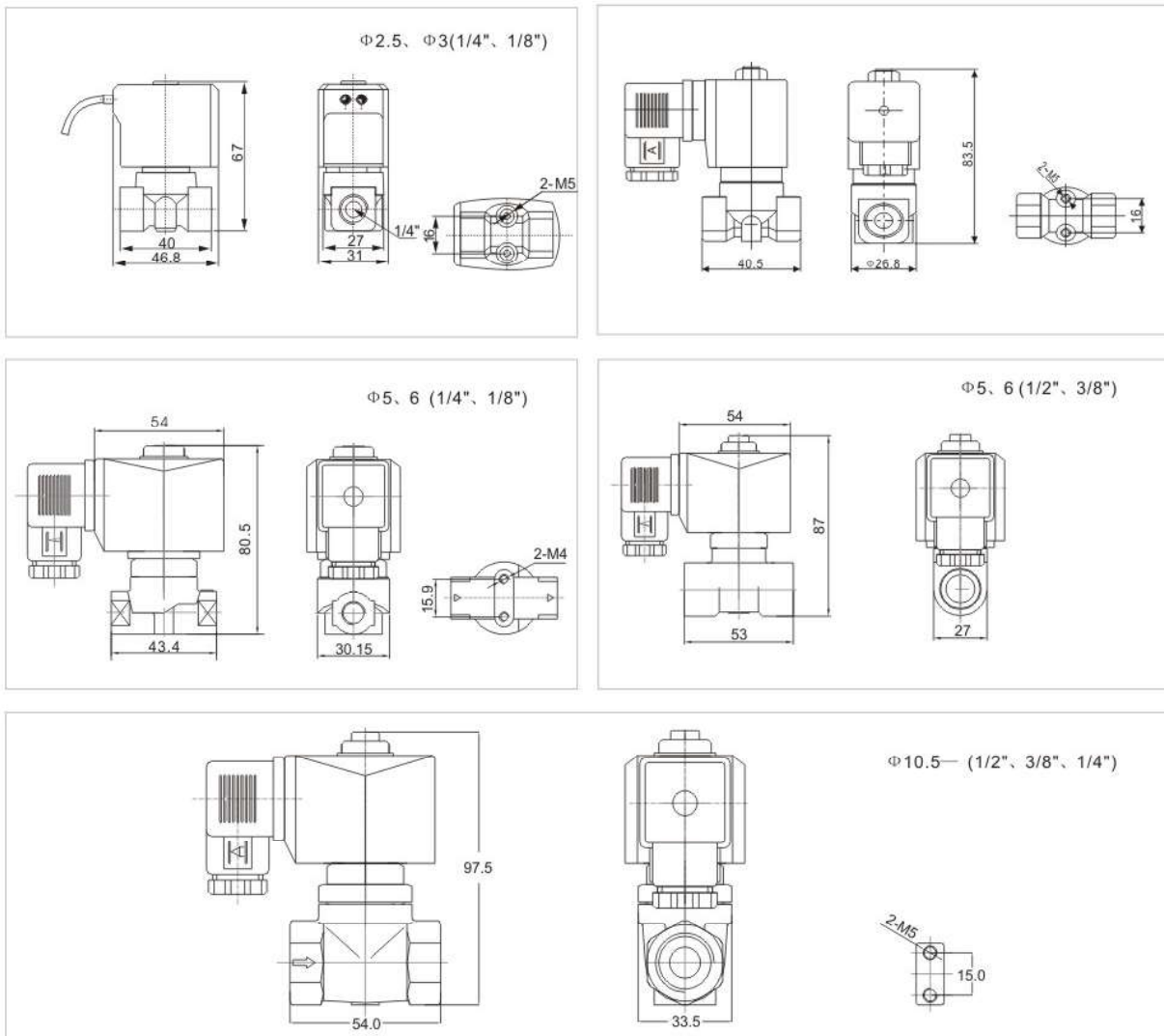
ZS Compact Series 2/2-Way Direct Acting Solenoid Valve · Normally Closed

● The Professional Solenoid Valves Manufactory

- 1: 2-Way normally closed solenoid valve, Closed when de-energized, open when energized. Body material: brass
- 2: Max. Allowable pressure 16kgf/cm²; Fluids Temp: 0°C~120°C
- 3: Serialized products, small in size, large flow rate, widely use
- 4: Flow as the arrow, mounts in any position; Best position is solenoid vertical and upright direction.
- 5: Voltage: 220VAC/230VAC/240VAC/110VAC/24VAC 50/60HZ 24VDC/12VDC; Voltage Tolerance: +10% to -10% applicable voltage
- 6: Coil can fix Germany Nass Coil, for orifice under DN25 only.
- 7: This series valves are offered NBR、VITON、EPDM etc for Seals and diaphragm to provide on-off control of various fluids.



External Dimensions Chart



Sanlixin Solenoid Valve

ZS Compact Series 2/2-Way Direct Acting Solenoid Valve · Normally Closed

● The Professional Solenoid Valves Manufactory



Valve Selection List

Pipe Conn- ection	Orifice mm	CV Factor	Operating pressure differential (kgf/cm ²)								Max. fluids Temp. °C	Coil Type	Power consumption		Coil Class	Model Code Follows Voltage are 220VAC		Weight KG	
			Min.	Max.						AC 220V			DC 24V	Body material:					
				Air Gas		Water Hot water Liquids		Light oil ≤ 20CST								Forged brass	SS304		
				AC	DC	AC	DC	AC	DC										
1/8 "	for N05 type coil only	2.5	0.23	0	7	5	7	5	7	5	80	N	13	8.5	B	ZS1NF02N1AC3	ZS1NF02N4AC3	0.35	
		2.5	0.23	0	7	5	7	5			120	N	13	8.5	B	ZS1NF02E1AC3	ZS1NF02E4AC3	0.35	
		2.5	0.23	0	7	5	7	5	7	5	120	N	13	8.5	B	ZS1NF02V1AC3	ZS1NF02V4AC3	0.35	
		3	0.3	0	5	4	5	4	5	4	80	N	13	8.5	B	ZS1NF02N1A03	ZS1NF02N4A03	0.35	
		3	0.3	0	5	4	5	4			120	N	13	8.5	B	ZS1NF02E1A03	ZS1NF02E4A03	0.35	
		3	0.3	0	5	4	5	4	5	4	120	N	13	8.5	B	ZS1NF02V1A03	ZS1NF02V4A03	0.35	
1/8 "		5	0.65	0	6	4	6	4	4	3	80	D	20	20	F	ZS1DF02N1A05	ZS1DF02N4A05	0.46	
		5	0.65	0	6	4	6	4			120	D	20	20	F	ZS1DF02E1A05	ZS1DF02E4A05	0.46	
		5	0.65	0	6	4	6	4	4	3	120	D	20	20	F	ZS1DF02V1A05	ZS1DF02V4A05	0.46	
		6	0.8	0	4	2.5	4	2.5	3	2.5	80	D	20	20	F	ZS1DF02N1A06	ZS1DF02N4A06	0.46	
		6	0.8	0	4	2.5	4	2.5			120	D	20	20	F	ZS1DF02E1A06	ZS1DF02E4A06	0.46	
		6	0.8	0	4	2.5	4	2.5	3	2.5	120	D	20	20	F	ZS1DF02V1A06	ZS1DF02V4A06	0.46	
		7.5	1.0	0	1.5	1	1.5	1	1.5	1	80	D	20	20	F	ZS1DF02N1AC8	ZS1DF02N4AC8	0.45	
		7.5	1.0	0	1.5	1	1.5	1			120	D	20	20	F	ZS1DF02E1AC8	ZS1DF02E4AC8	0.45	
1/4 "	for N05 type coil only	2.5	0.23	0	7	5	7	5	7	5	80	N	13	8.5	B	ZS1NF02N1BC3	ZS1NF02N4BC3	0.34	
		2.5	0.23	0	7	5	7	5			120	N	13	8.5	B	ZS1NF02E1BC3	ZS1NF02E4BC3	0.34	
		2.5	0.23	0	7	5	7	5	7	5	120	N	13	8.5	B	ZS1NF02V1BC3	ZS1NF02V4BC3	0.34	
		3	0.3	0	5	4	5	4	5	4	80	N	13	8.5	B	ZS1NF02N1B03	ZS1NF02N4B03	0.34	
		3	0.3	0	5	4	5	4			120	N	13	8.5	B	ZS1NF02E1B03	ZS1NF02E4B03	0.34	
		3	0.3	0	5	4	5	4	5	4	120	N	13	8.5	B	ZS1NF02V1B03	ZS1NF02V4B03	0.34	
1/4 "		5	0.65	0	6	4	6	4	4	3	80	D	20	20	F	ZS1DF02N1B05	ZS1DF02N4B05	0.45	
		5	0.65	0	6	4	6	4			120	D	20	20	F	ZS1DF02E1B05	ZS1DF02E4B05	0.45	
		5	0.65	0	6	4	6	4	4	3	120	D	20	20	F	ZS1DF02V1B05	ZS1DF02V4B05	0.45	
		6	0.8	0	4	2.5	4	2.5	3	2.5	80	D	20	20	F	ZS1DF02N1B06	ZS1DF02N4B06	0.45	
		6	0.8	0	4	2.5	4	2.5			120	D	20	20	F	ZS1DF02E1B06	ZS1DF02E4B06	0.45	
		6	0.8	0	4	2.5	4	2.5	3	2.5	120	D	20	20	F	ZS1DF02V1B06	ZS1DF02V4B06	0.45	
		7.5	1.0	0	1.5	1	1.5	1	1.5	1	80	D	20	20	F	ZS1DF02N1BC8	ZS1DF02N4BC8	0.44	
		7.5	1.0	0	1.5	1	1.5	1			120	D	20	20	F	ZS1DF02E1BC8	ZS1DF02E4BC8	0.44	
7.5	1.0	0	1.5	1	1.5	1	1.5	1	120	D	20	20	F	ZS1DF02V1BC8	ZS1DF02V4BC8	0.44			

ZS Compact Series 2/2-Way Direct Acting Solenoid Valve · Normally Closed

● The Professional Solenoid Valves Manufactory



Valve Selection List

Pipe Conn- ection	Orifice mm	CV Factor	Operating pressure differential (kgf/cm ²)								Max. fluids Temp. °C	Coil Type	Power consumption		Coil Class	Model Code Follows Voltage are 220VAC		Weight KG
			Min.	Max.						AC 220V			DC 24 V	Body material:				
				Air Gas		Water Hot water Liquids		Light oil ≤20CST								Forged brass	SS304	
				AC	DC	AC	DC	AC	DC									
3/8"	4	0.6	0	8	5	8	5	5	5	80	D	20	20	F	ZS1DF02N1C04	ZS1DF02N4C04	0.6	
	4	0.6	0	8	5	8	5			120	D	20	20	F	ZS1DF02E1C04	ZS1DF02E4C04	0.6	
	4	0.6	0	8	5	8	5	5	5	120	D	20	20	F	ZS1DF02V1C04	ZS1DF02V4C04	0.6	
	5	0.65	0	6	4	6	4	4	3	80	D	20	20	F	ZS1DF02N1C05	ZS1DF02N4C05	0.51	
	5	0.65	0	6	4	6	4			120	D	20	20	F	ZS1DF02E1C05	ZS1DF02E4C05	0.51	
	5	0.65	0	6	4	6	4	4	3	120	D	20	20	F	ZS1DF02V1C05	ZS1DF02V4C05	0.51	
	6	0.8	0	4	2.5	4	2.5	3	2.5	80	D	20	20	F	ZS1DF02N1C06	ZS1DF02N4C06	0.51	
	6	0.8	0	4	2.5	4	2.5			120	D	20	20	F	ZS1DF02E1C06	ZS1DF02E4C06	0.51	
	6	0.8	0	4	2.5	4	2.5	3	2.5	120	D	20	20	F	ZS1DF02V1C06	ZS1DF02V4C06	0.51	
	7.5	1.0	0	1.5	1	1.5	1	1.5	1	80	D	20	20	F	ZS1DF02N1CC8	ZS1DF02N4CC8	0.49	
	7.5	1.0	0	1.5	1	1.5	1			120	D	20	20	F	ZS1DF02E1CC8	ZS1DF02E4CC8	0.49	
	7.5	1.0	0	1.5	1	1.5	1	1.5	1	120	D	20	20	F	ZS1DF02V1CC8	ZS1DF02V4CC8	0.49	
1/2"	4	0.6	0	8	5	8	4	4	3	80	D	20	20	F	ZS1DF02N1D04	ZS1DF02N4D04	0.48	
	4	0.6	0	8	5	8	4			120	D	20	20	F	ZS1DF02E1D04	ZS1DF02E4D04	0.48	
	4	0.6	0	8	5	8	5	5	5	120	D	20	20	F	ZS1DF02V1D04	ZS1DF02V4D04	0.48	
	5	0.65	0	6	4	6	5	5	5	80	D	20	20	F	ZS1DF02N1D05	ZS1DF02N4D05	0.48	
	5	0.65	0	6	4	6	5			120	D	20	20	F	ZS1DF02E1D05	ZS1DF02E4D05	0.48	
	5	0.65	0	6	4	6	4	4	3	120	D	20	20	F	ZS1DF02V1D05	ZS1DF02V4D05	0.48	
	6	0.8	0	4	2.5	4	2.5	3	2.5	80	D	20	20	F	ZS1DF02N1D06	ZS1DF02N4D06	0.46	
	6	0.8	0	4	2.5	4	2.5			120	D	20	20	F	ZS1DF02E1D06	ZS1DF02E4D06	0.46	
	6	0.8	0	4	2.5	4	2.5	3	2.5	120	D	20	20	F	ZS1DF02V1D06	ZS1DF02V4D06	0.46	
	7.5	1.0	0	1.5	1	1.5	1	1.5	1	80	D	20	20	F	ZS1DF02N1DC8	ZS1DF02N4DC8		
	7.5	1.0	0	1.5	1	1.5	1			120	D	20	20	F	ZS1DF02E1DC8	ZS1DF02E4DC8		
	7.5	1.0	0	1.5	1	1.5	1	1.5	1	120	D	20	20	F	ZS1DF02V1DC8	ZS1DF02V4DC8		
10	1.65	0	0.5	0.3	0.5	0.3	0.4	0.2	80	D	20	20	F	ZS1DF02N1D10		0.59		
10	1.65	0	0.5	0.3	0.5	0.3			120	D	20	20	F	ZS1DF02E1D10				
10	1.65	0	0.5	0.3	0.5	0.3	0.4	0.2	120	D	20	20	F	ZS1DF02V1D10				

Sanlixin Solenoid Valve

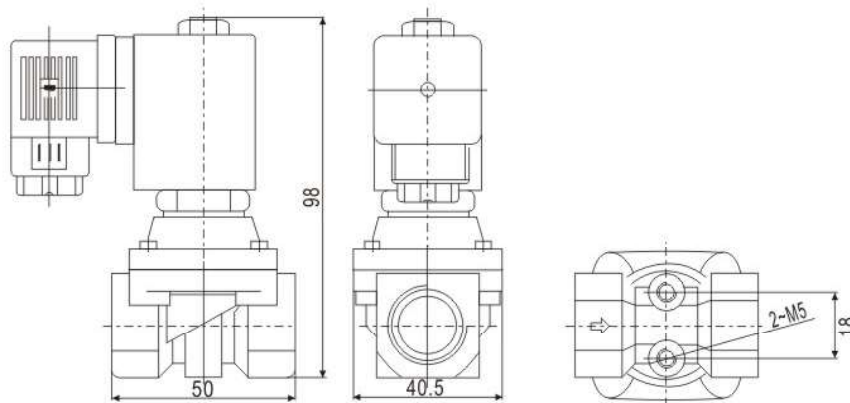
ZS 2/2-way Direct Acting Solenoid Valve · Normlly Closed

● The Professional Solenoid Valves Manufactory

- 1: 2/2 way normally closed ,
closed when de-energized open , open when energized
- 2: Max pressure tolerance: 25 kgf/cm²
- 3: Working pressure : 0 ~20 kgf/cm²
- 4: Ambient temp : 0~65 °C
- 5: Flow as the arrow ,mounts in any position ; best position is solenoid vertical and upright direction
- 6: Only 3/8" & 1/2" connection size ,orifice ϕ 10mm, can be widely used in the corresponding flow and pressure system , replace the same connection size but big orifice valve , can save a lot of cost
- 7: Voltage : AC220V/230V/240V/110V/24V 50/60HZ DC24V/12V
- 8: Seals : Can choose NBR、EPDM、VITON to fit the on/off control of different media;
- 9: Body: Brass



External Dimensions:



Valve Selection List

Pipe Connection	Orifice mm	CV Factor	Operating pressure differential (kgf/cm ²)								Max. Temp. °C	Coil Type	Power consumption		Coil Class	Model Code Follows Voltage are 220VAC50/60HZ	Weight KG
			Max.										VA 220V	W 24V			
			Min.		Air Gas		Water Hotwater liquid.		Light oil								
			AC	DC	AC	DC	AC	DC	AC	DC							
1/4 "	10	1.9	0	20	16	20	16	20	16	80	D	22	13	F	ZS1DF02N9B10	0.55	
	10	1.9	0	20	16	20	16	20	16	120	D	22	13	F	ZS1DF02E9B10	0.55	
	10	1.9	0	20	16	20	16	20	16	120	D	22	13	F	ZS1DF02V9B10	0.55	
3/8 "	10	2.4	0	20	16	20	16	20	16	80	D	22	13	F	ZS1DF02N9C10	0.54	
	10	2.4	0	20	16	20	16	20	16	120	D	22	13	F	ZS1DF02E9C10	0.54	
	10	2.4	0	20	16	20	16	20	16	120	D	22	13	F	ZS1DF02V9C10	0.54	
1/2 "	10	2.4	0	20	16	20	16	20	16	80	D	22	13	F	ZS1DF02N9D10	0.53	
	10	2.4	0	20	16	20	16	20	16	120	D	22	13	F	ZS1DF02E9D10	0.53	
	10	2.4	0	20	16	20	16	20	16	120	D	22	13	F	ZS1DF02V9D10	0.53	

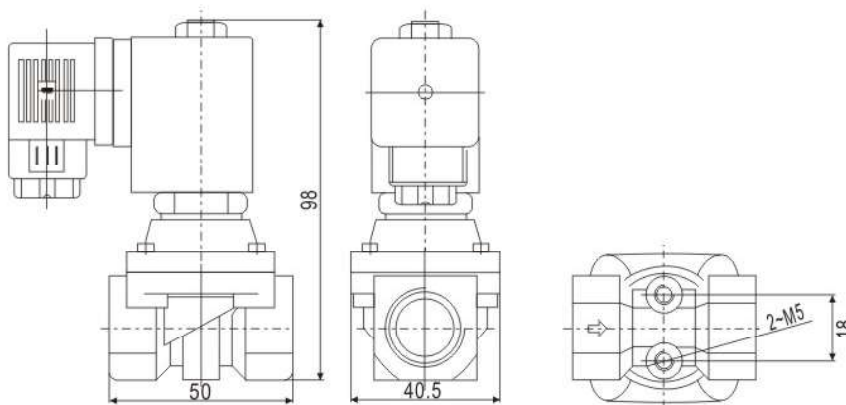
ZS 2/2-way Direct Acting Solenoid Valve · Normlly Closed

● The Professional Solenoid Valves Manufactory

1. 2/2 way Normally Closed, closed when de-energized open, open when energized.
2. Max Pressure Tolerance: 25kgf/cm²
3. Working Pressure: 0~20kgf/cm²
4. Ambient Temp.: 0~65°C
5. Flow as the arrow, mounts in any position; best position is solenoid vertiacal and upright direction.
6. Only 1/4" & 3/8" & 1/2" connection size, orifice Φ 10mm, can be widely used in the corresponding flow and pressure system, replace the same connection size but big orifice valve, can save a lot of cost.
7. Voltage: AC220V/230V/240V/110V/24V 50/60HZ DC24V/12V
8. Seals: can choose NBR, EPDM, VITON to fit the on/off control of different media.
9. Body: SS304



External Dimensions:



Valve Selection List

Pipe Connection	Orifice mm	CV Factor	Operating Pressure Differential kgf/cm ²								Max Temp. °C	Coil Type	Power Consumption		Coil Class	Model Code Follows Voltage are 220VAC	Weight kg	
			Min.	Max						V A			W					
				Air Gas		Water, Hot Water, Liquid		Light oil						AC 220V				DC 24V
				AC	DC	AC	DC	AC	DC									
1/4"	10	1.9	0	20	16	20	16	20	16	80	D	22	13	F	ZS1DF02N4B10	0.55		
	10	1.9	0	20	16	20	16	20	16	120	D	22	13	F	ZS1DF02E4B10	0.55		
	10	1.9	0	20	16	20	16	20	16	120	D	22	13	F	ZS1DF02V4B10	0.55		
3/8"	10	2.4	0	20	16	20	16	20	16	80	D	22	13	F	ZS1DF02N4C10	0.54		
	10	2.4	0	20	16	20	16	20	16	120	D	22	13	F	ZS1DF02E4C10	0.54		
	10	2.4	0	20	16	20	16	20	16	120	D	22	13	F	ZS1DF02V4C10	0.54		
1/2"	10	2.4	0	20	16	20	16	20	16	80	D	22	13	F	ZS1DF02N4D10	0.53		
	10	2.4	0	20	16	20	16	20	16	120	D	22	13	F	ZS1DF02E4D10	0.53		
	10	2.4	0	20	16	20	16	20	16	120	D	22	13	F	ZS1DF02V4D10	0.53		

Sanlixin Solenoid Valve

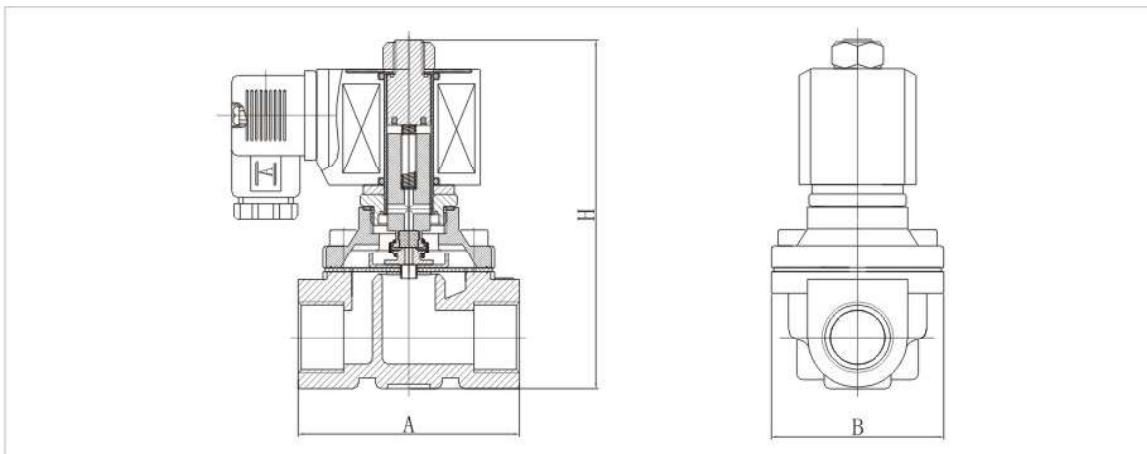
ZS 2/2-Way Large diameter Direct Acting Solenoid Valve · Normally Closed

● The Professional Solenoid Valves Manufactory

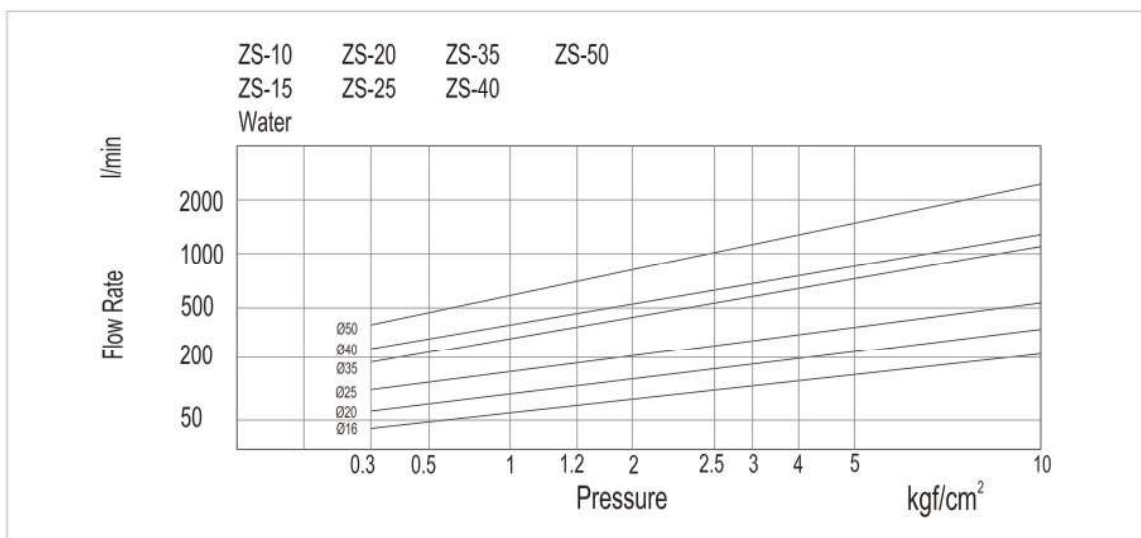
- 1: 2-Way normally closed solenoid valve, Closed when de-energized, open when energized.
- 2: Serialized products, small in size, large flow rate, widely use
- 3: Body material: forged brass, cast brass (for orifice $\Phi 32$ 、40、50 only)
- 4: Ambient Temp. $0^{\circ}\text{C}\sim 65^{\circ}\text{C}$, Fluids Temp: $0^{\circ}\text{C}\sim 120^{\circ}\text{C}$.
- 5: Flow as the arrow, mounts in any position; Best position is Solenoid vertical and upright direction.
- 6: Voltage: 220VAC/230VAC/240VAC/110VAC/24VAC 50/60HZ 24VDC/12VDC;
Voltage Tolerance: +10% to -10% applicable voltage
- 7: Coil can fix Germany Nass Coil, for orifice under $\phi 16\sim 25\text{mm}$ only.
- 8: This series valves are offered NBR、VITON、EPDM etc
for Seals and diaphragm to provide on-off control of various fluids.



External Dimensions Chart



Flow Chart



ZS 2/2-Way Large diameter Direct Acting Solenoid Valve · Normally Closed

● The Professional Solenoid Valves Manufactory

Valve Selection List

Pipe Conn- ection	Orifice mm	CV Factor	Operating pressure differential (kgf/cm ²)								Max. Fluids Temp.	Coil F Class Type	Power consumption		External Dimensions Length x Width x Height Lx W x H	Weight KG	Model Code Follows Voltage are 220VAC 50/60HZ
			Min.	Max.						VA AC 220 V			W DC 24 V				
				Air Gas		Water Hot water Liquids		Light oil ≤20CST									
				AC	DC	AC	DC	AC	DC								
3/8"	16	4.8	0	10	6	10	6	7	4	80	D	20	20	69×57×106	0.9	ZS1DF02N1C16	
	16	4.8	0	10	6	10	6			120	D	20	20	69×57×106	0.9	ZS1DF02E1C16	
	16	4.8	0	10	6	10	6	7	4	120	D	20	20	69×57×106	0.9	ZS1DF02V1C16	
	16	4.8	0			3	3			120	D	20	20	69×57×106	0.9	ZS1DF02G1C16	
1/2"	16	4.8	0	10	6	10	6	7	4	80	D	20	20	69×57×106	0.9	ZS1DF02N1D16	
	16	4.8	0	10	6	10	6			120	D	20	20	69×57×106	0.9	ZS1DF02E1D16	
	16	4.8	0	10	6	10	6	7	4	120	D	20	20	69×57×106	0.9	ZS1DF02V1D16	
	16	4.8	0			3	3			120	D	20	20	69×57×106	0.9	ZS1DF02G1D16	
3/4"	20	7.6	0	10	6	10	6	7	4	80	D	20	20	73×57×114	1.08	ZS1DF02N1E20	
	20	7.6	0	10	6	10	6			120	D	20	20	73×57×114	1.08	ZS1DF02E1E20	
	20	7.6	0	10	6	10	6	7	4	120	D	20	20	73×57×114	1.08	ZS1DF02V1E20	
	20	7.6	0			3	3			120	D	20	20	73×57×114	1.08	ZS1DF02G1E20	
1"	25	12	0	10	6	10	6	7	4	80	D	20	20	99×77×121	1.4	ZS1DF02N1G25	
	25	12	0	10	6	10	6			120	D	20	20	99×77×121	1.4	ZS1DF02E1G25	
	25	12	0	10	6	10	6	7	4	120	D	20	20	99×77×121	1.4	ZS1DF02V1G25	
	25	12	0			3	3			120	D	20	20	99×77×121	1.4	ZS1DF02G1G25	
1 1/4"	32	24	0	10	6	10	6	7	4	80	D	57	45	112×86.5×150	2.5	ZS1DF02N2H32	
	32	24	0	10	6	10	6			120	D	57	45	112×86.5×150	2.5	ZS1DF02E2H32	
	32	24	0	10	6	10	6	7	4	120	D	57	45	112×86.5×150	2.5	ZS1DF02V2H32	
	32	24	0	10	6	10	6	7	4	80	D	57	45	112×86.5×150	2.7	ZS1DF02N1H32	
	32	24	0	10	6	10	6			120	D	57	45	112×86.5×150	2.7	ZS1DF02E1H32	
	32	24	0	10	6	10	6	7	4	120	D	57	45	112×86.5×150	2.7	ZS1DF02V1H32	
1 1/2"	40	29	0	10	6	10	6	7	4	80	D	57	45	123×94×160	2.9	ZS1DF02N2J40	
	40	29	0	10	6	10	6			120	D	57	45	123×94×160	2.9	ZS1DF02E2J40	
	40	29	0	10	6	10	6	7	4	120	D	57	45	123×94×160	2.9	ZS1DF02V2J40	
	40	29	0	10	6	10	6	7	4	80	D	57	45	123×94×160	3.2	ZS1DF02N1J40	
	40	29	0	10	6	10	6			120	D	57	45	123×94×160	3.2	ZS1DF02E1J40	
	40	29	0	10	6	10	6	7	4	120	D	57	45	123×94×160	3.2	ZS1DF02V1J40	
2"	50	48	0	10	6	10	6	7	4	80	D	57	45	168×123×183	5.2	ZS1DF02N2K50	
	50	48	0	10	6	10	6			120	D	57	45	168×123×183	5.2	ZS1DF02E2K50	
	50	48	0	10	6	10	6	7	4	120	D	57	45	168×123×183	5.2	ZS1DF02V2K50	
	50	48	0	10	6	10	6	7	4	80	D	57	45	168×123×183	5.4	ZS1DF02N1K50	
	50	48	0	10	6	10	6			120	D	57	45	168×123×183	5.4	ZS1DF02E1K50	
	50	48	0	10	6	10	6	7	4	120	D	57	45	168×123×183	5.4	ZS1DF02V1K50	

ZS 2/2-Way Large diameter Direct Acting Solenoid Valve · Normally Closed

●The Professional Solenoid Valves Manufactory

- 1: 2-Way normally closed solenoid valve, Closed when de-energized, open when energized.
- 2: Body material: 304 stainless steel and 316 stainless steel
- 3: Fluids Temp:0°C~120°C; Ambient Temp. 0°C~65°C
- 4: Serialized products, small in size, large flow rate, widely use
- 5: Flow as the arrow, mounts in any position; Best position is Solenoid vertical and upright direction.
- 6: Voltage: 220VAC/230VAC/240VAC/110VAC/24VAC 50/60HZ 24VDC/12VDC;
Voltage Tolerance: +10% to -10% applicable voltage
- 7: Coil can fix Germany Nass Coil, for orifice under DN25 only.
- 8: This series valves are offered NBR、VITON、EPDM etc
for Seals and diaphragm to provide on-off control of various fluids.



Valve Selection List (Female Thread)

Pipe Conn-ection	Orifice mm	CV Factor	Operating pressure differential (kgf/cm ²)							Max. Fluids Temp.	Coil F Class Type	Power consumption		External Dimensions Length x Width x Height A x B x H	Weight KG	Model Code Follows Voltage are 220VAC 50/60HZ
			Min.	Max.								VA AC 220 V	W DC 24 V			
				Air Gas		Water Hot water Liquids		Light oil								
				AC	DC	AC	DC	AC	DC							
3/8"	16	4.8	0	10	6	10	6	7	4	80	D	20	20	69×57×106	0.8	ZS1DF02N4C16
	16	4.8	0	10	6	10	6			120	D	20	20	69×57×106	0.8	ZS1DF02E4C16
	16	4.8	0	10	6	10	6	7	4	120	D	20	20	69×57×106	0.8	ZS1DF02V4C16
	16	4.8	0			3	3			120	D	20	20	69×57×106	0.8	ZS1DF02G4C16
1/2"	16	4.8	0	10	6	10	6	7	4	80	D	20	20	69×57×106	0.85	ZS1DF02N4D16
	16	4.8	0	10	6	10	6			120	D	20	20	69×57×106	0.85	ZS1DF02E4D16
	16	4.8	0	10	6	10	6	7	4	120	D	20	20	69×57×106	0.85	ZS1DF02V4D16
	16	4.8	0			3	3			120	D	20	20	69×57×106	0.85	ZS1DF02G4D16
3/4"	20	7.6	0	10	6	10	6	7	4	80	D	20	20	73×57×114	1.1	ZS1DF02N4E20
	20	7.6	0	10	6	10	6			120	D	20	20	73×57×114	1.1	ZS1DF02E4E20
	20	7.6	0	10	6	10	6	7	4	120	D	20	20	73×57×114	1.1	ZS1DF02V4E20
	20	7.6	0			3	3			120	D	20	20	73×57×114	1.1	ZS1DF02G4E20
1"	25	12	0	10	6	10	6	7	4	80	D	20	20	99×77×121	1.45	ZS1DF02N4G25
	25	12	0	10	6	10	6			120	D	20	20	99×77×121	1.45	ZS1DF02E4G25
	25	12	0	10	6	10	6	7	4	120	D	20	20	99×77×121	1.45	ZS1DF02V4G25
	25	12	0	10	6	3	3			120	D	20	20	99×77×121	1.45	ZS1DF02G4G25
1 1/4"	32	24	0	10	6	10	6	7	4	80	D	57	45	112×86.5×150	2.3	ZS1DF02N4H32
	32	24	0	10	6	10				120	D	57	45	112×86.5×150	2.3	ZS1DF02E4H32
	32	24	0	10	6	10	6	7	7	120	D	57	45	112×86.5×150	2.3	ZS1DF02V4H32
1 1/2"	40	29	0	10	6	10	6	7	4	80	D	57	45	123×94×160	2.9	ZS1DF02N4J40
	40	29	0	10	6	10				120	D	57	45	123×94×160	2.9	ZS1DF02E4J40
	40	29	0	10	6	10	6	7	7	120	D	57	45	123×94×160	2.9	ZS1DF02V4J40
2"	50	48	0	10	6	10	6	7	4	80	D	57	45	168×123×183	4.8	ZS1DF02N4K50
	50	48	0	10	6	10				120	D	57	45	168×123×183	4.8	ZS1DF02E4K50
	50	48	0	10	6	10	6	7	4	120	D	57	45	168×123×183	4.8	ZS1DF02V4K50